

The photograph may not match the reference exactly. Please read the product description to identify the finish.

TECHNICAL CHARACTERISTICS



Type:	Street Lighting			
IP Protection degrees:	IP66			
IK Protection degrees:	IK10			
Light source 1:	32x LED CREE 40W Warm White - 4000K 3900lm ^(N) CRI 70	32x LED CREE 60W Warm White - 4000K 5550lm ^(N) CRI 70	48x LED CREE 60W Warm White - 4000K 5800lm ^(N) CRI 70	48x LED CREE 80W Warm White - 4000K 7500lm ^(N) CRI 70
Total power consumption (W):	40.3	60.1	60.3(or WITH SENSOR)	80.3(or WITH SENSOR)
Voltage / Frequency:	100-240V/50-60Hz			
Warranty (Years):	5			
Units per box:	1			
Net Weight (Kg):	12.0/13.5	12.0/13.5	12.0/13.5	12.2/13.7

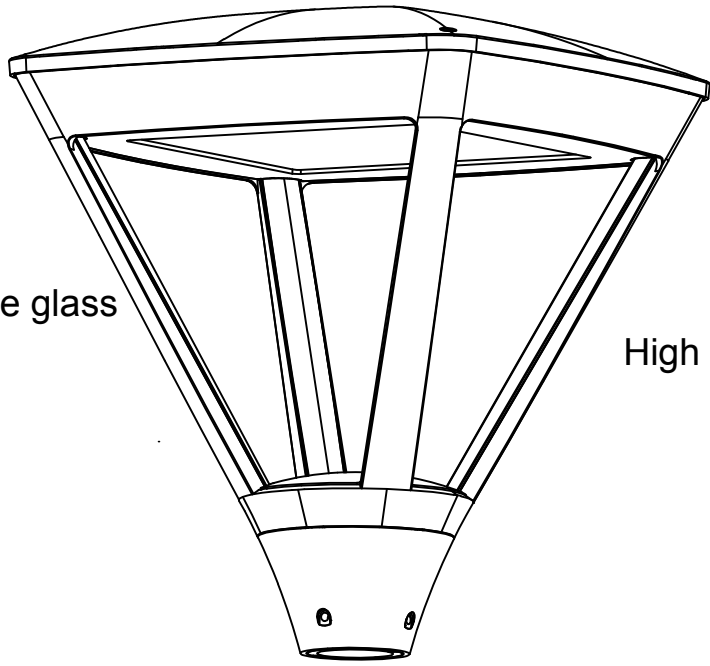
MATERIALS / FINISHES

Structure material: High purity aluminium	aiffuser material: Glass
Structure finish: Silver	Diffuser finish: Transparent

GEAR

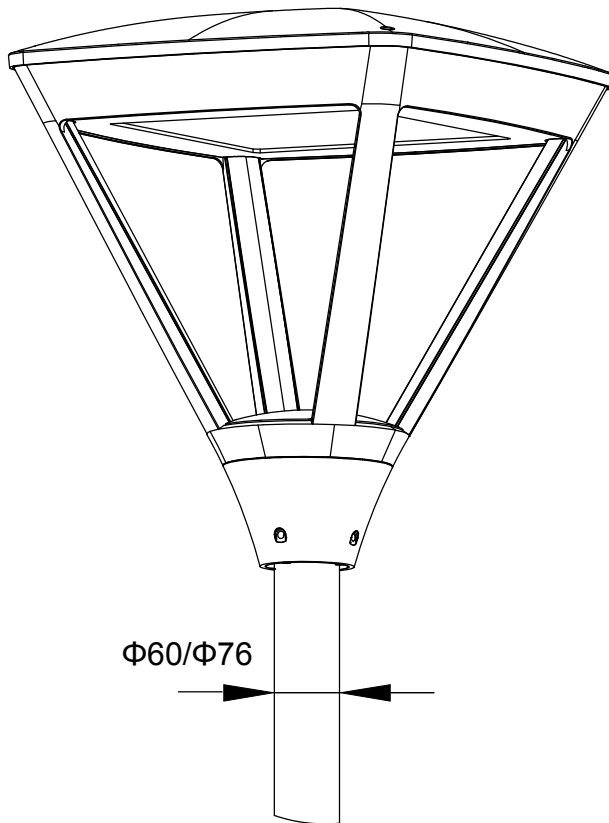
Multi-voltage electronic gear included (110-240 V / 50-60 Hz)

Lm^(N): Nominal flow of light in actual working conditions. Its actual flow will depend on the environmental conditions and the efficiency of the optics and/or diffuser.



Ultra-white glass

High purity aluminum



$\Phi 60/\Phi 76$

installation template